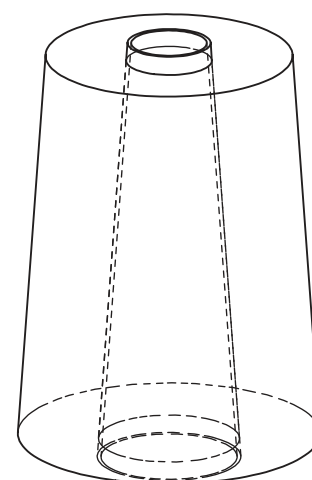
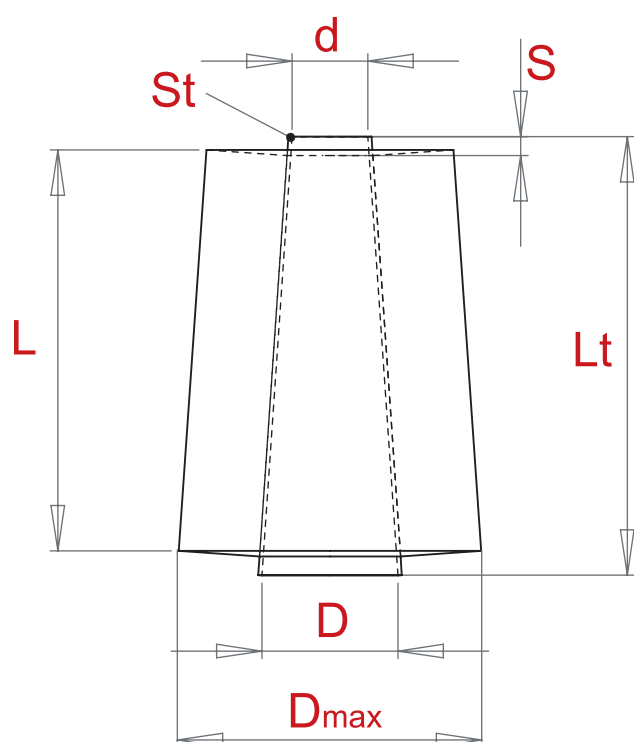




filati



BOBINA TRONCO CONICA CONICAL SPOOLS



Item	core material	d [mm]	D [mm]	L [mm]	Plant [N]	Dmax [mm]	Lt [mm]	St [mm]	S [mm]
14	PP	20 ± 0.5	36 ± 0.5	100 ± 10	whc	80 ± 3	116 ± 1	1.5 ± 0.1	2.5 ± 3
15	PP	33 ± 0.5	67 ± 0.5	200 ± 10	wcr	270 ± 10	225 ± 1	1.5 ± 0.1	12.5 ± 3
16	PP	30 ± 0.5	70 ± 0.5	200 ± 10	wcr	270 ± 10	225 ± 1	1.5 ± 0.1	12.5 ± 3

Altri formati su richiesta. Other on request.

La Calloni srl si riserva il diritto di variazione senza preavviso. Calloni srl reserves the right to change any kind of data without prior notice.

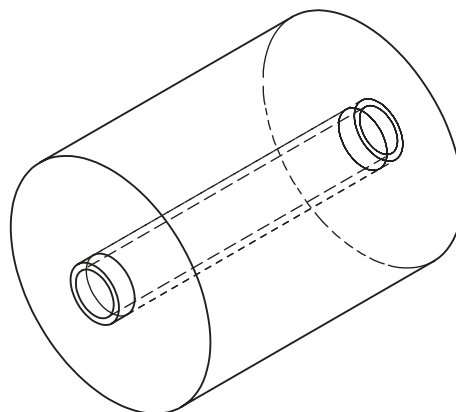
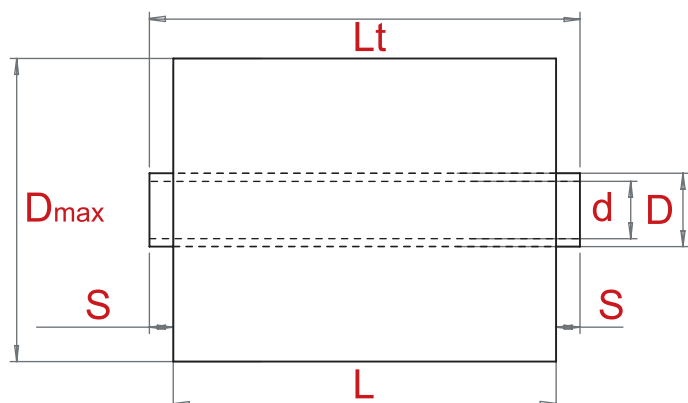




filati



BOBINA CILINDRICA CILINDRICAL SPOOLS



Item	core material	d [mm]	D [mm]	L [mm]	Plant [N]	Dmax [mm]	Lt [mm]	S [mm]
01	paper	16 ± 0.5	20 ± 0.5	100 ± 10	wtx wot	200 ± 10 120 ± 3	105 ± 1	2.5 ± 3
02	paper	16 ± 0.5	20 ± 0.5	150 ± 10	wtx wot	200 ± 10 120 ± 3	170 ± 1	10 ± 3
03	paper	20 ± 0.5	25 ± 0.5	150 ± 10	wtx wot	200 ± 10 120 ± 3	170 ± 1	10 ± 3
04	paper	20 ± 0.5	25 ± 0.5	125 ± 5	wtx wot	200 ± 10 120 ± 3	137 ± 1	6 ± 3
05	paper	25 ± 0.5	31 ± 0.5	70 ± 5	whc	80 ± 3	72 ± 1	1 ± 1
06	paper	30 ± 0.5	36 ± 0.5	125 ± 5	wtx wot	200 ± 10 120 ± 3	135 ± 1	5 ± 3
07	paper	90 ± 2	101 ± 2	250 ± 10	wsh	300 ± 10	280 ± 1	15 ± 5
08	paper	73 ± 2	79 ± 2	250 ± 10	wtw	360 ± 10	291 ± 1	20.5 ± 5
09	paper	67 ± 2	86 ± 2	250 ± 10	wfr	210 ± 10	290 ± 1	20 ± 5
10	PVC	90 ± 3	105 ± 3	250 ± 10	wfr wsh	210 ± 10 300 ± 10	280 ± 1	15 ± 5
11	iron	67 ± 2	70 ± 2	250 ± 10	wfr	210 ± 10	280 ± 1	15 ± 5
12	alum	90 ± 2	96 ± 2	250 ± 10	wtx wot	210 ± 10 300 ± 10	280 ± 1	15 ± 5
13	iron	90 ± 2	93 ± 2	220 ± 10	wf3	230 ± 10	225 ± 5	2.5 ± 2

Altri formati su richiesta. Other on request.

La Calloni srl si riserva il diritto di variazione senza preavviso. Calloni srl reserves the right to change any kind of data without prior notice.

